

Overview

104C Series AdaptaBeacons are designed to provide a bright visual indication utilizing special optics within a shatter resistant polycarbonate lens mounted on a polycarbonate/ABS blend base.

Agency Approvals

- CSA Certified
- UL Listed
- CE Marked
- NEMA 4X enclosure

Specifications

Lenses available in five colours: amber, blue, clear, green and red.

Applications

Our 104C lights are particularly effective in high noise areas where ear protection must be worn and audible signals may not be heard or understood. They can advise personnel in manufacturing and process areas when an operation is starting or stopping. These lights are often used to signal malfunctions in equipment, such as assembly line jams, or to warn personnel that they are entering a restricted area or an area of high danger.

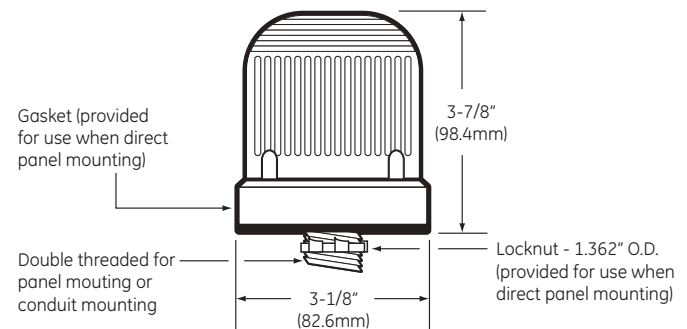
Standard Features

- Available in Steady On, Flashing, and Strobe models
- NEMA 4X Enclosure
- Panel or Conduit Mounted
- Suitable for indoor or outdoor installation (-35° to +66°C)
- 18 inch wire leads

Installation and Mounting

Suitable for indoor or outdoor installation. May be panel or conduit mounted either horizontally or vertically. However, vertical installation ensures maximum beam width projection.

Double (internal/external) threaded mounting nipple suitable for direct panel mounting or 1/2" (13 mm) conduit mounting.



AdaptaBeacon® Steady On Halogen and LED Lights, Flashing Halogen, LED, and Strobe Lights

104C Series



CONTINUES...

B-4



...CONTINUED

Ordering Information

| Description | Cat. No. | Nom. Amp Rating | Voltage | Lamp Ratings | Lamp Life | Light Output |
|--|----------------|-----------------|---------|--------------|---------------|--------------|
| 104C Steady On Lights (Halogen and LED) | | | | | | |
| Halogen Steady On Light | 104CSINH(+)-G1 | 0.77 | 24Vdc | 9W | 15,000 hr. | 52 Lumens** |
| Halogen Steady On Light | 104CSINH(+)-G5 | 0.77 | 24VAC | 9W | 15,000 hr. | 52 Lumens** |
| Halogen Steady On Light | 104CSINH(+)-N5 | 0.25 | 120VAC | 12W | 25,000 hr. | 70 Lumens** |
| LED Steady On Light | 104CSLED(+)-G1 | 0.062 | 24Vdc | --- | 100,000 hr. | --- |
| LED Steady On Light | 104CSLED(+)-N5 | 0.022 | 120VAC | --- | 100,000 hr. | --- |
| 104C Flashing Lights (Halogen,LED and Strobe) | | | | | | |
| Halogen Flashing Light | 104CFINH(+)-G1 | 0.77 | 24Vdc | 9W | 15,000 hr.*** | 52 Lumens** |
| Halogen Flashing Light | 104CFINH(+)-G5 | 0.77 | 24VAC | 9W | 15,000 hr.*** | 52 Lumens** |
| Halogen Flashing Light | 104CFINH(+)-N5 | 0.25 | 120VAC | 12W | 25,000 hr.*** | 70 Lumens** |
| LED Flashing Light | 104CFLED(+)-G1 | 0.062 | 24Vdc | --- | 100,000 hr. | --- |
| LED Flashing Light | 104CFLED(+)-N5 | 0.022 | 120VAC | --- | 100,000 hr. | --- |
| Strobe Flashing Light | 104CST(+)-N5 | 0.12 | 120VAC | --- | 3,000hr † | --- |

(+) Specify color: R=Red, A=Amber, B=Blue, G=Green, C=Clear

NOTE: 104C LED Series NOT AVAILABLE in Clear

** Bulb manufacturer's Lumen rating.

*** Projected lamp life based on manufacturer's calculated lamp life at 65 FPM, and 50% duty cycle.

† Calculated strobe tube life at operating power to 75% efficiency



A
B
C
D
E
F
G