

## Overview

The Wall Mount (WBR) and Corner Mount (CBR) Brackets are CSA Certified. The brackets are designed for use with any AdaptaBeacon Visual Signal having a base suitable for 1/2" or 3/4" conduit mounting. Units are fabricated from heavy gauge steel with a painted grey finish.

## WBR

The Wall Mount Bracket may be used with surface or concealed wiring. For concealed wiring the unit includes a backplate that mounts directly to a 4" square or 4" octagon electrical outlet box. For surface wiring the backplate mounts directly to the wall, a 1/2" conduit entrance is provided in the base of the bracket.

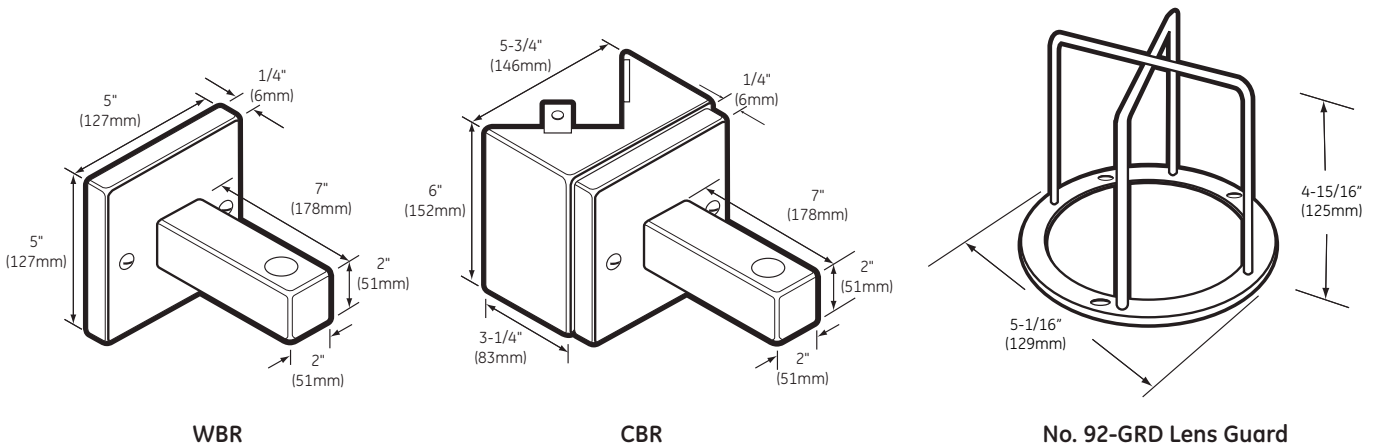
## CBR

The Corner Mount Bracket is designed for use with surface wiring.

## Lens Guard

The 92-GRD Lens Guard is designed for use with 48C, 48CH, 50C, and 51C Series AdaptaBeacons.

## Installation and Mounting



## AdaptaBeacon<sup>®</sup> Accessories

### Mounting Brackets



WBR Wall Mount Bracket



CBR Corner Mount Bracket

