

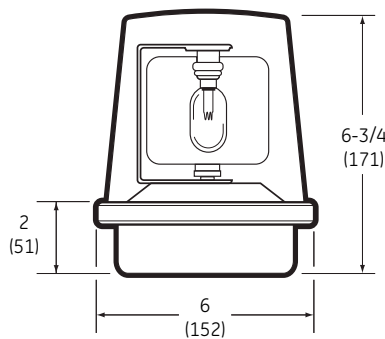
Overview

The AdaptaBeacon line of rotating signals is designed to provide maximum brilliance, minimal maintenance, and long term durability in a variety of operating environments.

Applications

AdaptaBeacon rotating lights are designed for indoor or outdoor installation. Noisy Areas - to attract attention or indicate malfunctions in equipment. Stores and Showrooms - to attract passersby. Security Systems - to visually show indication of an intrusion. Fire and Security Vehicles - to alert other vehicles and pedestrians. Service Vehicles - alert oncoming traffic to vehicle presence.

Installation and Mounting



52C Series and
53C Series

Standard Features

- AC or DC models
- Weatherproof installation (-35 to +66°C)
- CSA certified
- Direct and pipe mounting styles available

52C Series - Pipe or Direct Mount

24, 120 or 240VAC

The 52C Series AdaptaBeacon features a light intensifying reflector which rotates around a low current bulb. The 52C Series AdaptaBeacon is CSA Certified. Machined brass worm and Delrin® gears provide for quiet operation and long life. Bayonet socket lamp for easy replacement. The cast zinc base can be utilized as a junction box. The unit must be mounted vertically, with the dome facing up or down. For weatherproof application the dome must be face up. The units are designed for mounting direct to a surface, directly on a 4" octagon box or on a 1/2" NPT conduit. Supplied complete with gasket, rubber expansion plugs and 18 inch wire leads.

53C Series

12 or 24Vdc

The 53 Series AdaptaBeacon is similar to the 52C except it is available in DC voltages.

Ordering Information

Description	Cat. No.	Repl. Lens	Nom. Amp Rating	Voltage	Mounting
Rotating Beacon Intensified Reflector Type, 75 FPM Reflector rotates around lamp*	52C(+)-R5	52L(+)	.10	240VAC 50/60 Hz	1. Direct surface (indoor installation only) 2. Mounting on a 4" octagon box (indoor installation only) 3. Mounting on 1/2" conduit (indoor or outdoor installation)
	52C(+)-N5-40WH	52L(+)	.26	120VAC 50/60 Hz	
	52C(+)-G5-20WH	52L(+)	1.1	24VAC 50/60 Hz	
Rotating Beacon Intensified Reflector Type, 75 FPM	53C(+)-E1	52L(+)	1.8	12Vdc	
	53C(+)-G1	52L(+)	1.0	24Vdc	

(+) Specify color: R=Red, A=Amber, B=Blue, G=Green, C=Clear, M=Magenta
* Flash Rate approximately 62 FPM when operated from 50 Hz

AdaptaBeacon® Rotating Reflector Type Lights

52C, 53C

