

Overview

All units provide a cast aluminum housing tapped on one side for 1/2" conduit and include two lugs for wall mounting.

Single Projector Explosionproof
Adaptahorn

The single Projector Explosionproof AdaptaHorn is designed for use in:

- Class I, Division 1, Groups C and D;
- Class I, Division 2, Groups A and B;
- Class II, Division 1, Groups E, F and G; and
- Class III, Division 1 locations

Unit includes a seamless steel projector, a 5" diameter spring steel diaphragm. A brass cover provides rigid support for the horn mechanism.

Explosionproof Adaptabuzzer

The Explosionproof AdaptaBuzzer is designed for use in:

- Class I, Division 1, Groups C and D;
- Class I, Division 2, Groups A and B;
- Class II, Division 1, Groups E, F and G; and
- Class III, Division 1 locations

One-piece aluminum cover provides an explosionproof and dust-tight unit. Low power consumption. Plug-in connection for easy installation and assembly.

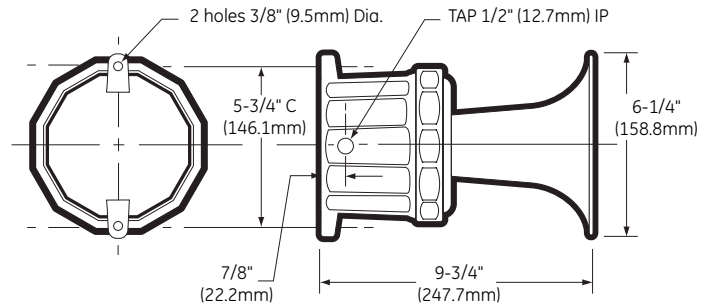
Mineguard Explosionproof Buzzer

The Mineguard Explosionproof Buzzer is certified by Mine Safety and Health Administration (MSHA) as explosionproof and suitable for use on permissible mining equipment. Certification #XP-31160. Meets MSHA 30 CFR, Part 18. One piece threaded cover provides an effective explosionproof and dust-tight seal. Installed 33" long power cord and conduit hose are made of flame retardant neoprene.

Standard Features

- AC and DC models
- Heavy duty cast aluminum construction
- Plug-in connection
- CSA Certified

Installation and Mounting



Explosionproof Horns
and Buzzers

B-KM-8130, B-KM-8140, B-8140 Series



CONTINUES...



...CONTINUED

Ordering Information

Description	Cat. No.	Volts	Amps	VA	Coil Res (Ohms)	dB@10' (3M)
Adaptahorn	B-KM-8130-G5	24VAC, 60 Hz	2	48	1	106
	B-KM-8130-N5	120VAC, 60 Hz	0.45	52	24	106
	B-KM-8130-R5	240VAC, 60 Hz	0.2	46	103.2	106
Adaptabuzzer	B-KM-8140-G5	24VAC, 50/60 Hz	0.8	19	5	89
	B-KM-8140-N5	120VAC, 50/60 Hz	0.2	23	146	89
	B-KM-8140-R5	240VAC, 50/60 Hz	0.1	23	740	89
	B-8141-G1	24Vdc	0.8	19	21.5	89
	B-8141-S1	250Vdc	.10	25	600	89
Mineguard Buzzer	B-8140-M-G5	24VAC, 60 Hz	0.8	19	5	89
	B-8140-M-N5	120VAC, 60 Hz	0.2	23	146	89
	B-8140-M-R5	240VAC, 60 Hz	0.1	23	740	89
	B-8141-M-G1	24Vdc	0.8	19	21.5	89
	B-8141-M-P1	125Vdc	0.2	25	110	89
	B-8141-M-S1	250Vdc	0.1	24	600	89

